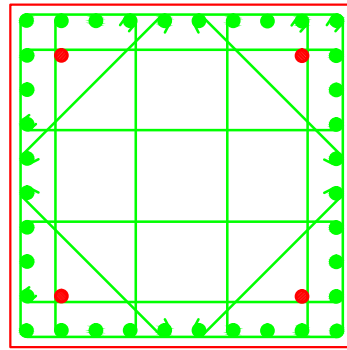


# COLUMN STRENGTHENING CUM RETROFITTING DETAIL DRAWING

COPYRIGHT  
THIS DRAWING IS A COPYRIGHT. IT IS NOT TO BE REPRODUCED, COPIED, HANDED OVER TO A THIRD PARTY OR USED FOR ANY OTHER PURPOSE OTHER THAN FOR THE PROJECT INVOLVED, WITHOUT THE KNOWLEDGE OF THE ARCHITECT.

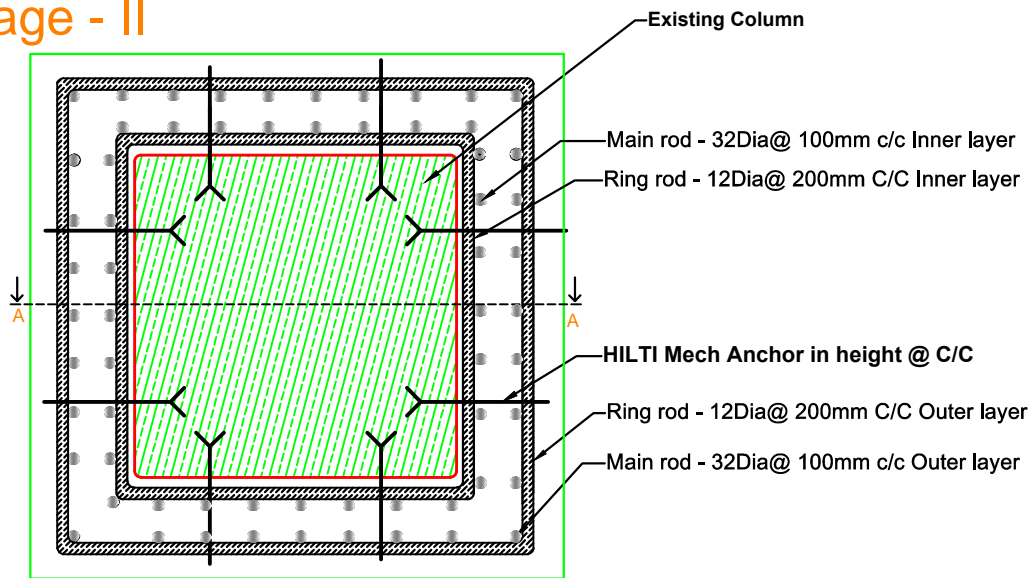
## Stage - I

Preparation of Surface by removing existing paint hacking the surface for bonding

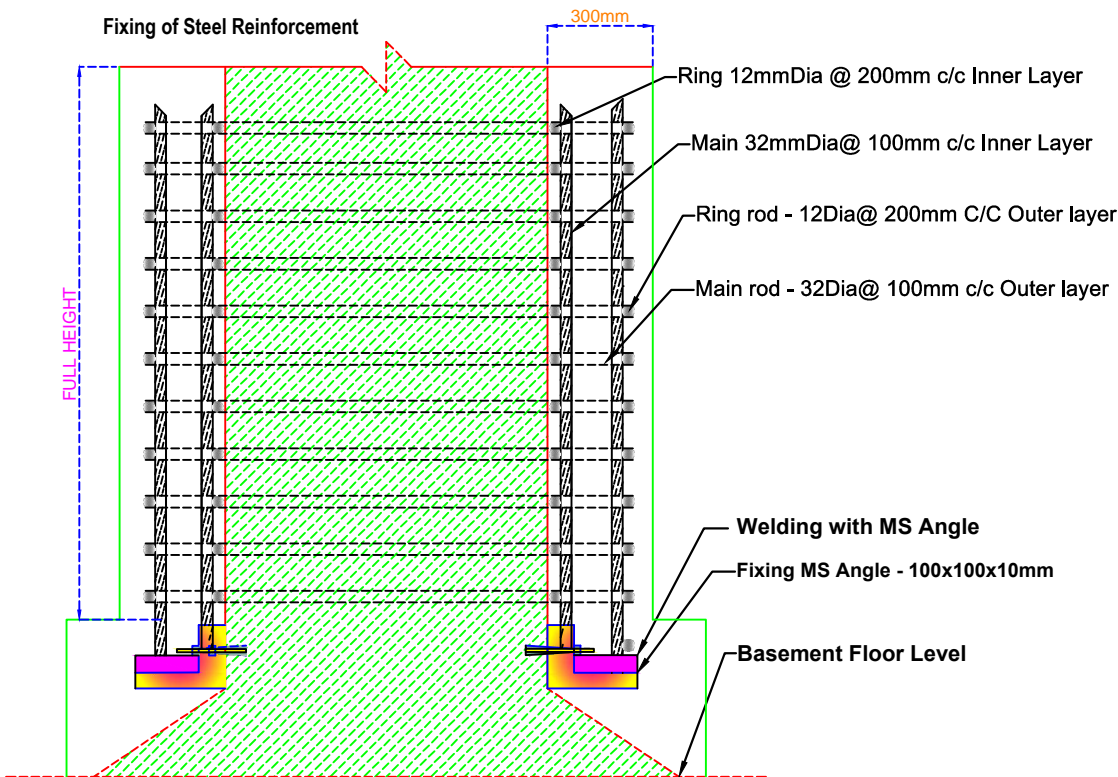


Typical Existing Column

## Stage - II



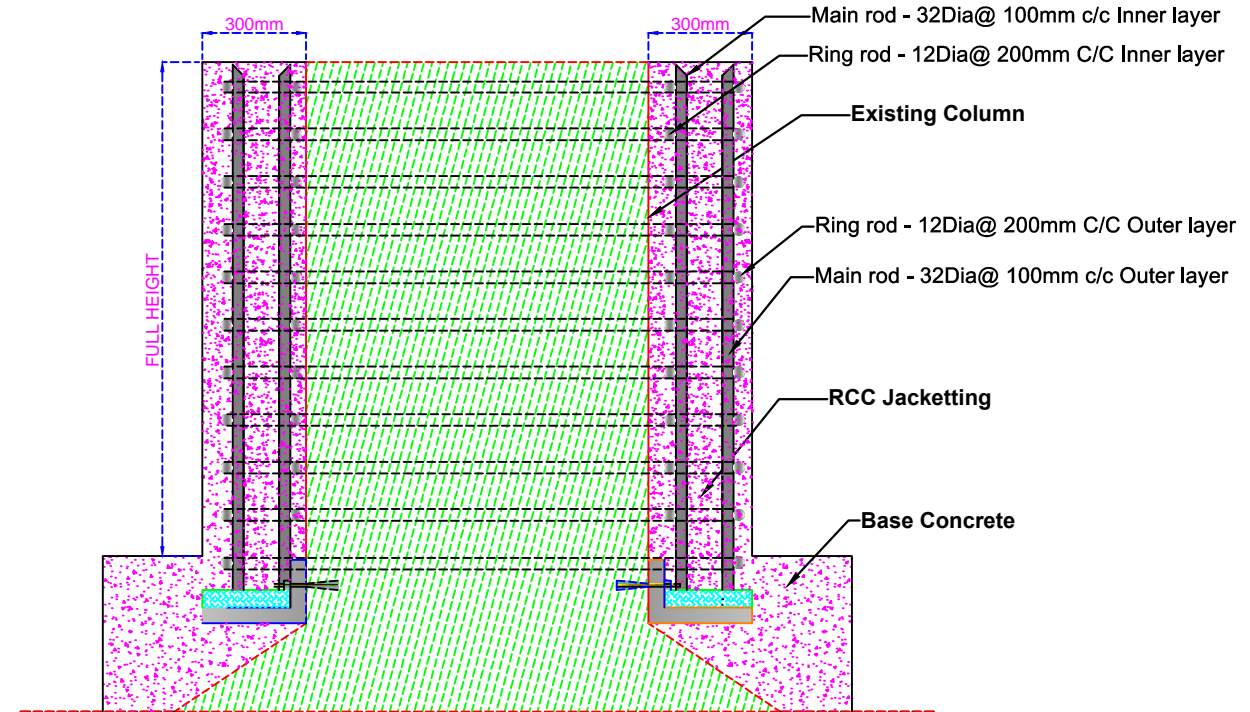
Proposed Strengthening of Column



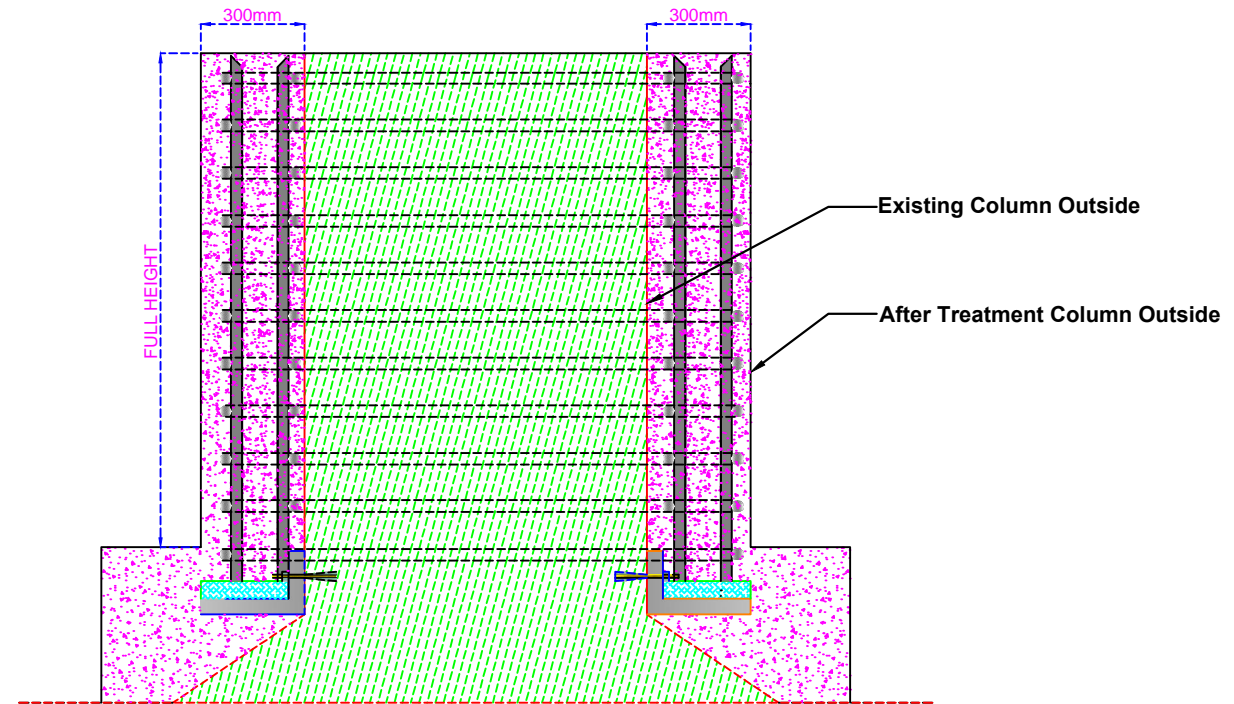
Section - AA

## Stage - III

Concrete Jacketing



## Stage - IV



### NOTES:

NECESSARY BAR CHAIRS TO BE PROVIDED UNLESS OTHERWISE SPECIFIED @ ONE METER C/C IN BOTH DIRECTIONS WHICH SHALL BE QUANTIFIED AND APPROVED PRIOR TO CONCRETING.

REV	DATE	REVISION DESCRIPTION

ENGINEERING CONSULTANT  
**Taamaesek Engineering Consortium**  
No.5, 1st Floor, Bishop Waters Avenue West, Old TTK Road, Mysore, Chennai - 600 004. Ph: +91 44 2467 11 39 / 57. Fax: +91 44 2467 2237. urfwww.taamaesek.com e-mail: info@taamaesek.com

OWNER  
**TICEL Bio Park Ltd,**  
CSIR Road, Taramani, Chennai - 600 113, INDIA. Phone: 91-44-2254 2061 / 2062 Fax: 91-44-2254 2055 E-mail: md@ticelbiopark.com

PROJECT:  
**TICEL BIO PARK - II**  
AT TARAMANI, CHENNAI-113

DRAWING STAGE:  
For Tender Purpose

Drawn by:	Checked by:	Approved by:	DATE	Scale:	DRAWING TITLE:	Drawing number:	SHEET SIZE:
P.P.	CVP	RV		1:175	Column Strengthening Cum Retrofitting Detail Drawing	TICEL/TMA/DETAIL/01	A3
TICEL	TMA	-	Detail	01	R0		